



TS 90 Impulse

EN 3/4

**Cam-action
door closer**

High-tech for the global market

The DORMA TS 90 Impulse combines technical superiority with outstanding value, and unites advanced design with convenient functionality – all on the basis of its heart-shaped cam.

With its installation versatility and inherent functional reliability, it is ideal for virtually any application. DORMA TS 90 Impulse:

Certified to ISO 9001

Benefits

For the trade

- Unique DORMA cam action technology for the entry-level segment, compliant with EN 1154.
- Complete package for easy stocking.
- Sets new standards to open up new markets.

For the installer/fabricator

- Easy to fix without mounting backplate.
- Non-handed.
- Four installation arrangements with one model.
- Proven DORMA quality for long service life.

For the architect/specifier

- Proven technology of the heart-shaped cam.
- Cost-efficient slide channel door closer for interior doors.

For the user

- Convenient, low-resistance opening with fully controlled closing.
- Two regulating valves for precise adjustment of closing speed.
- Available with hold-open and cushioned limit stay options.

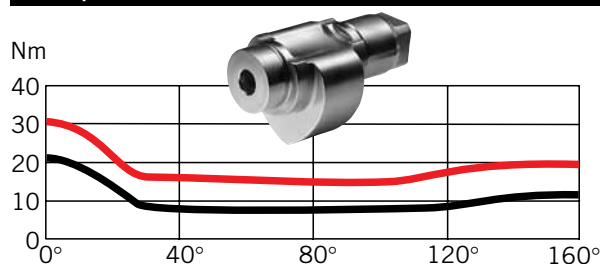
Data and features		TS 90 Impulse
Closing force	Size	EN 3/4
Standard doors ¹⁾	≤ 1100 mm	●
External doors, outward opening ¹⁾		●
Fire and smoke check doors ¹⁾		●
Non-handed		●
Slide channel		●
Two independent valves for closing speed adjustment		●
Cushioned limit stay (mechanical)		○
Delayed action		–
Hold-open		○
Weight in kg		1.7
Dimensions in mm	Length	246
	Overall depth	46
	Height	57
Door closer compliant with EN 1154		●
CE-mark for construction products		●

● yes – no ○ option

¹⁾ In the case of particularly heavy doors and doors that have to close against wind pressure, we recommend the DORMA TS 93.



Force profiles



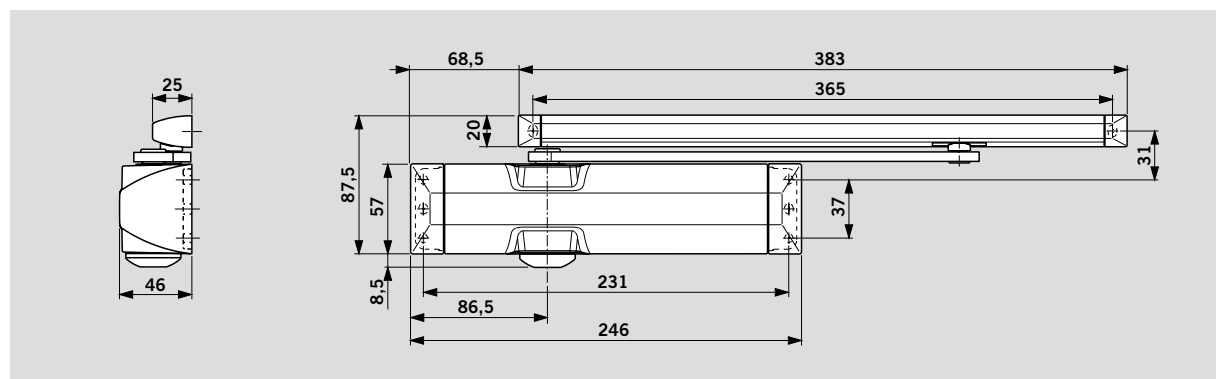
The heart-shaped cam and the linear drive mechanism of the DORMA TS 90 Impulse ensure that the resistance encountered decreases almost instantly with the door opening action – so even children, the elderly and people with disabilities have no problem in opening the door.

User-friendly and reliable closing is also ensured by the delayed increase in the actuating torque at the “latching” end of the sweep.

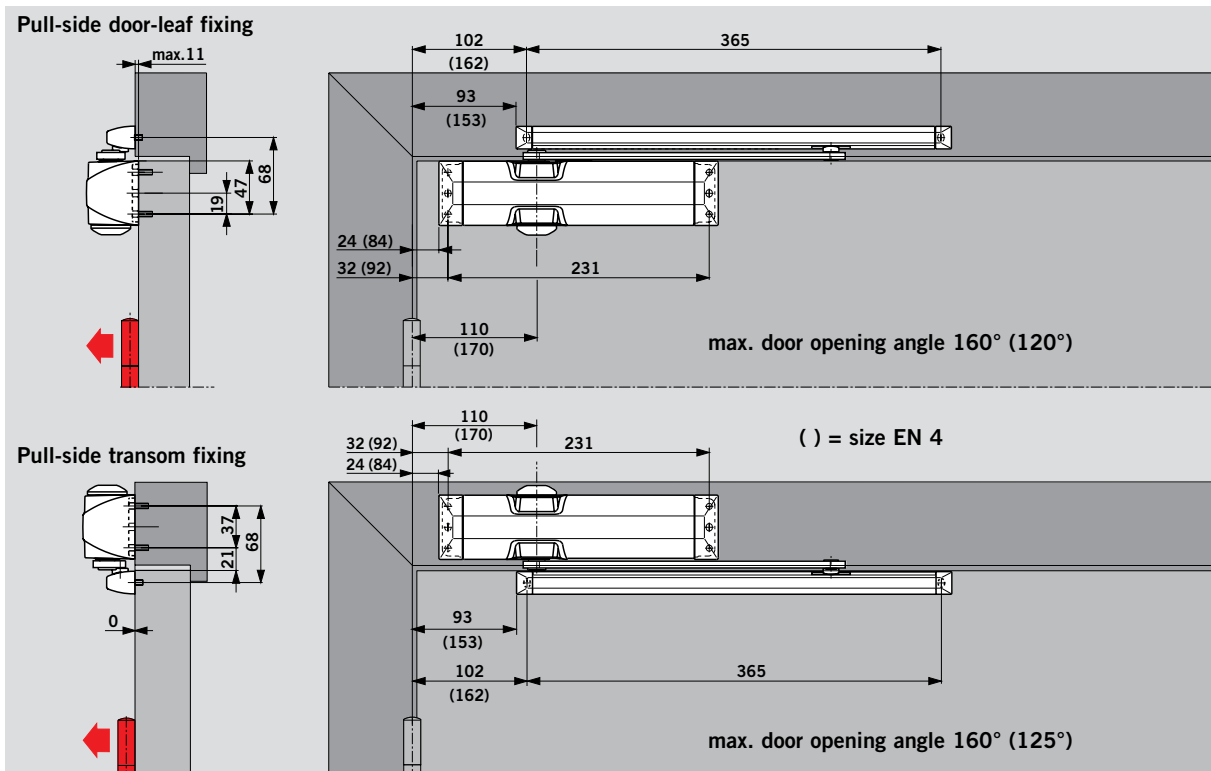
Force profile

DORMA TS 90 Impulse (Spring strength: EN 3)

- Opening force
- Closing force

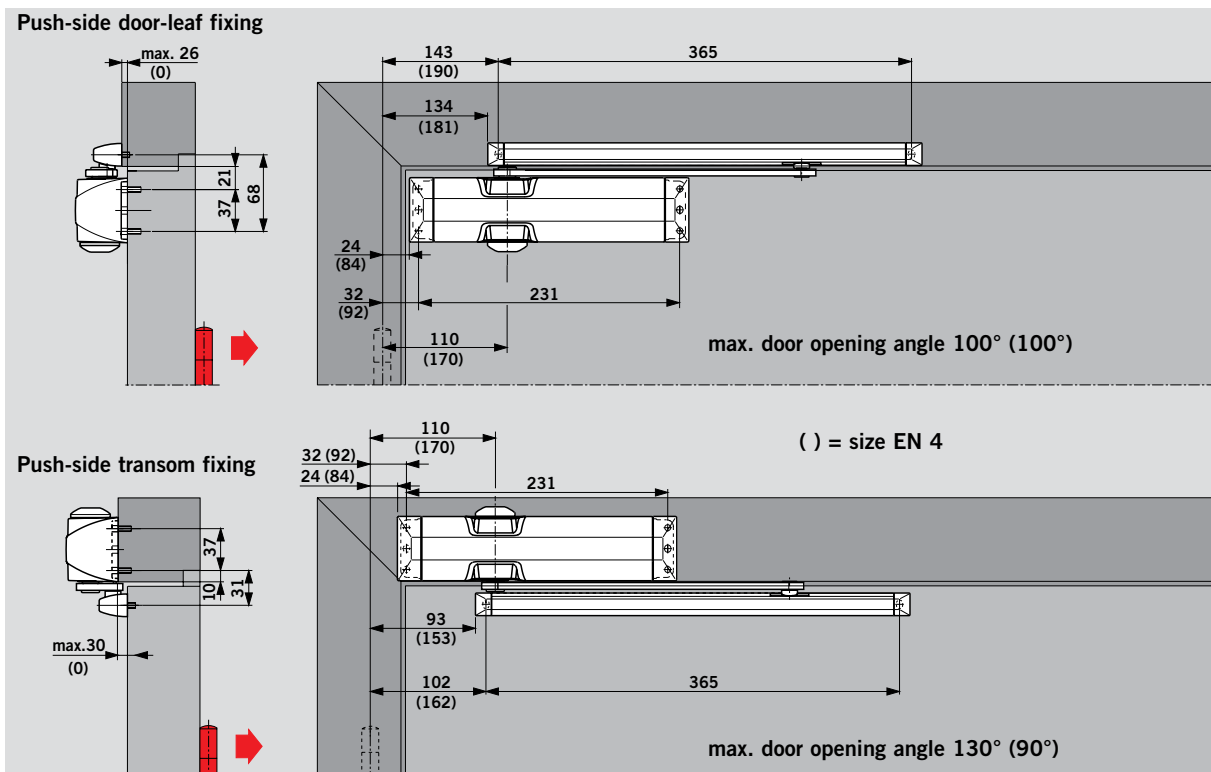


Pull-side fixing (example: LH/ISO 6 door; mirror image for RH/ISO 5 door)



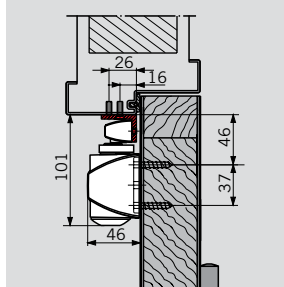
Depending on the structural conditions, the door opening angle is likely to be limited. It is recommended to install the cushioned limit stay or position a door stop at this point. **A door stop must be installed in the case of fire and smoke check doors.**

Push-side fixing (example: RH/ISO 5 door; mirror image for LH/ISO 6 door)



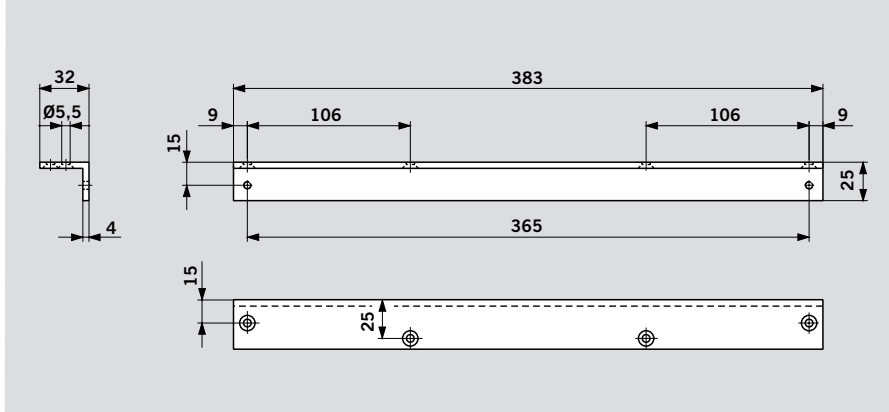
Depending on the structural conditions, the door opening angle is likely to be limited. It is recommended to install the cushioned limit stay or position a door stop at this point.

Accessories

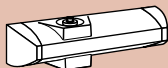



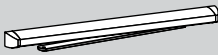



Angle bracket

For push-side fixing of the slide channel to door frames with a deep reveal.



Standard equipment and accessories

	Cam-action door closer TS 90 Impulse  Size EN 3/4	Angle bracket  100030xx	Cushioned limit stay  10002000	Mechanical hold-open device  10002100
Slide channel  102004xx	 102004xx	#	#	#

Order No.:

■ □ = Closer body with arm, complete

= Accessory

Colour

silver

white (sim. to RAL 9016)

xx

01

Colour

silver

white (sim. to RAL 9016)

Make

DORMA TS 90 Impulse

EN 3/4

Specification text

Universal cam-action door closer with linear drive and rapidly decreasing opening torque; closing speed adjustable in two independent ranges.
 Closing force = Size EN 3/4.
 Non-handed.
 Compliant with EN 1154.

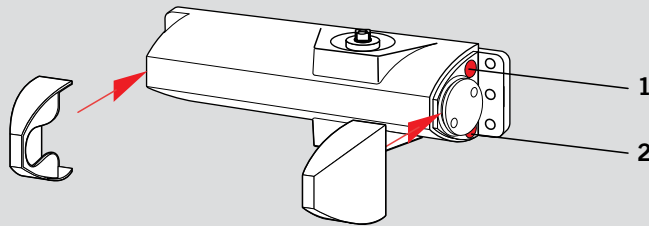
Accessories

Angle bracket

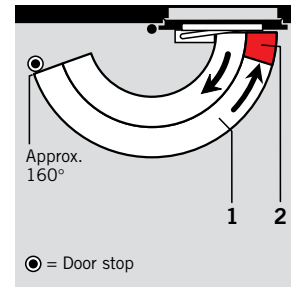
Hold-open device

Cushioned limit stay

Functions

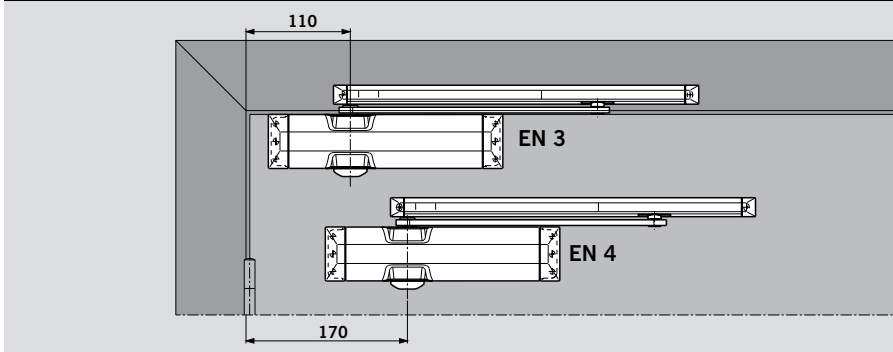


The **closing speed** of the DORMA TS 90 Impulse is adjustable in two independent ranges at the valves indicated.



- 1 Infinitely variable closing speed in the range 160° – 15°
- 2 Infinitely variable closing speed in the range 15° – 0°

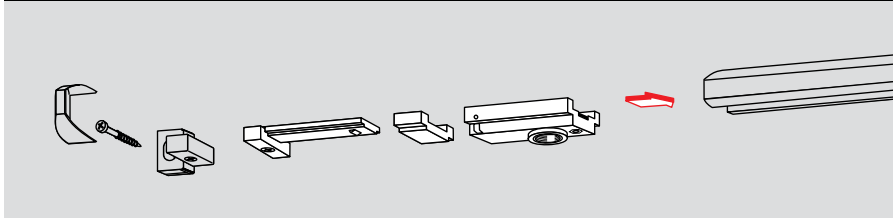
Closing force settings EN 3/EN 4



Door width	size setting
≤ 950 mm	EN 3
≤ 1100 mm	EN 4

The TS 90 Impulse size setting is selected for the door width by the closer.

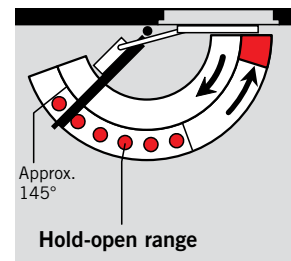
Mechanical hold-open device



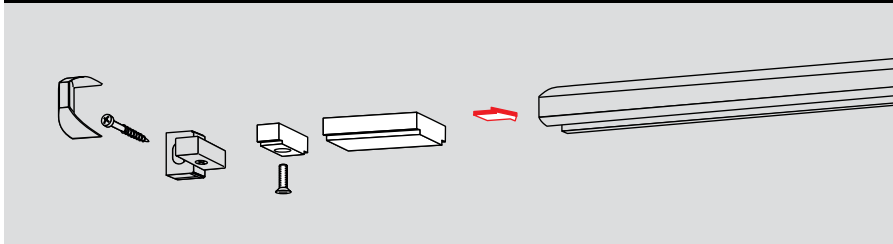
The hold-open device enables doors to be precisely held without any fall-back up to an opening angle of approx. 145°.

The hold-open device is suitable for both LH and RH doors and is designed for retrofitting to the slide channel.

Not for fire and smoke doors.



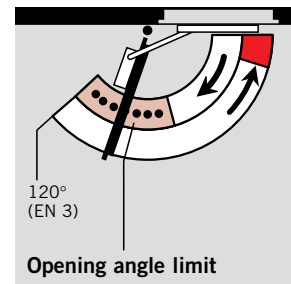
Cushioned limit stay



Cushioned limit stay for retrofitting by insertion in the slide channel. Adjustable between 80° and max. 120°.

Use of the cushioned limit stay helps to prevent a normally opened door from colliding with adjacent walls.

The cushioned limit stay is not an overload protection device and in many cases is not a substitute for a door stop. Only for the use of TS 90 Impulse size EN 3.





www.dorma.com

WN 053 230 51532, 08/12, TS 90 Impulse, GB., x. XX. xx/12 . Subject to change without notice



DORMA GmbH + Co. KG
DORMA Platz 1
D-58256 Ennepetal
Phone +49 2333 793-0
Fax +49 2333 793-4950