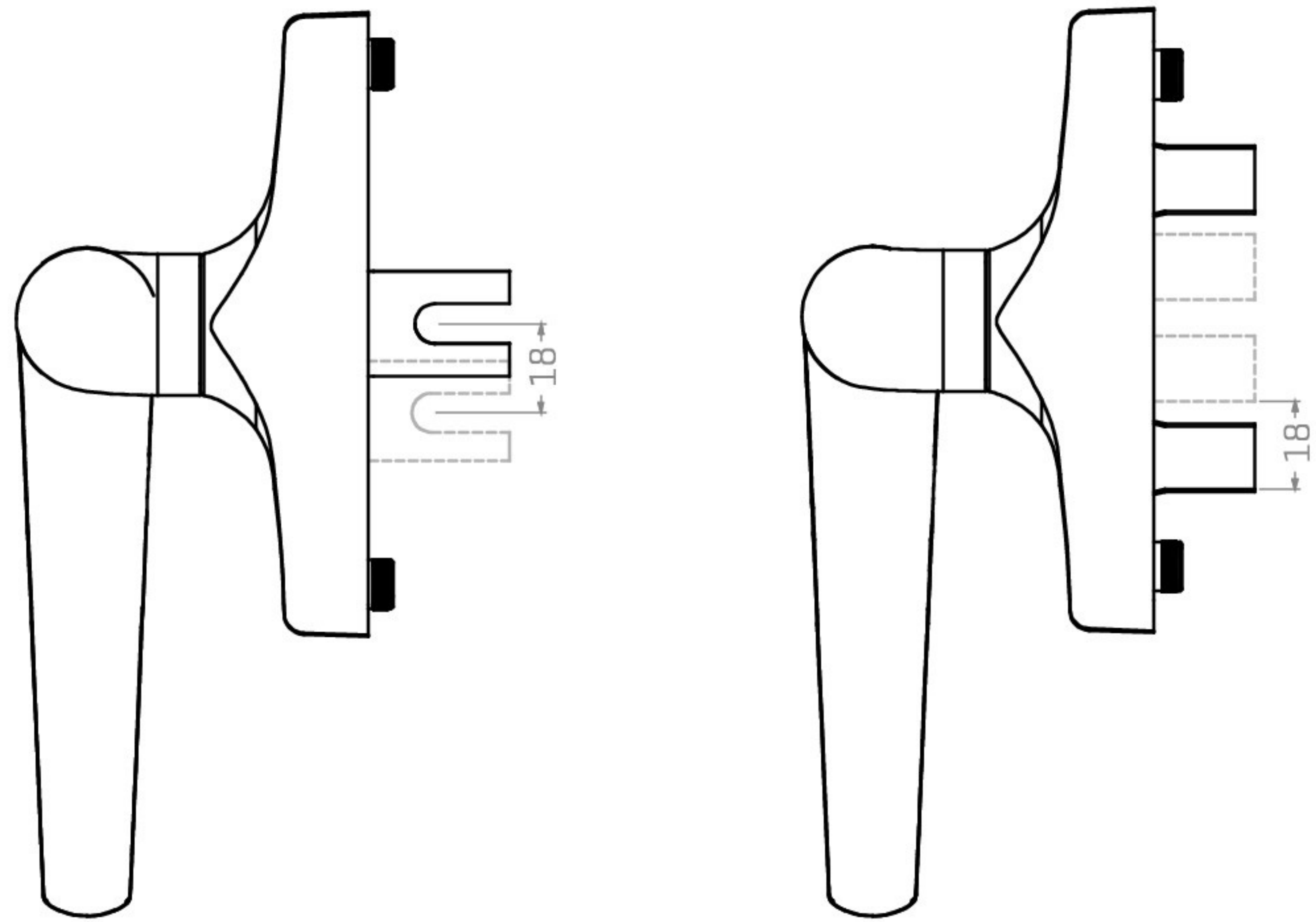
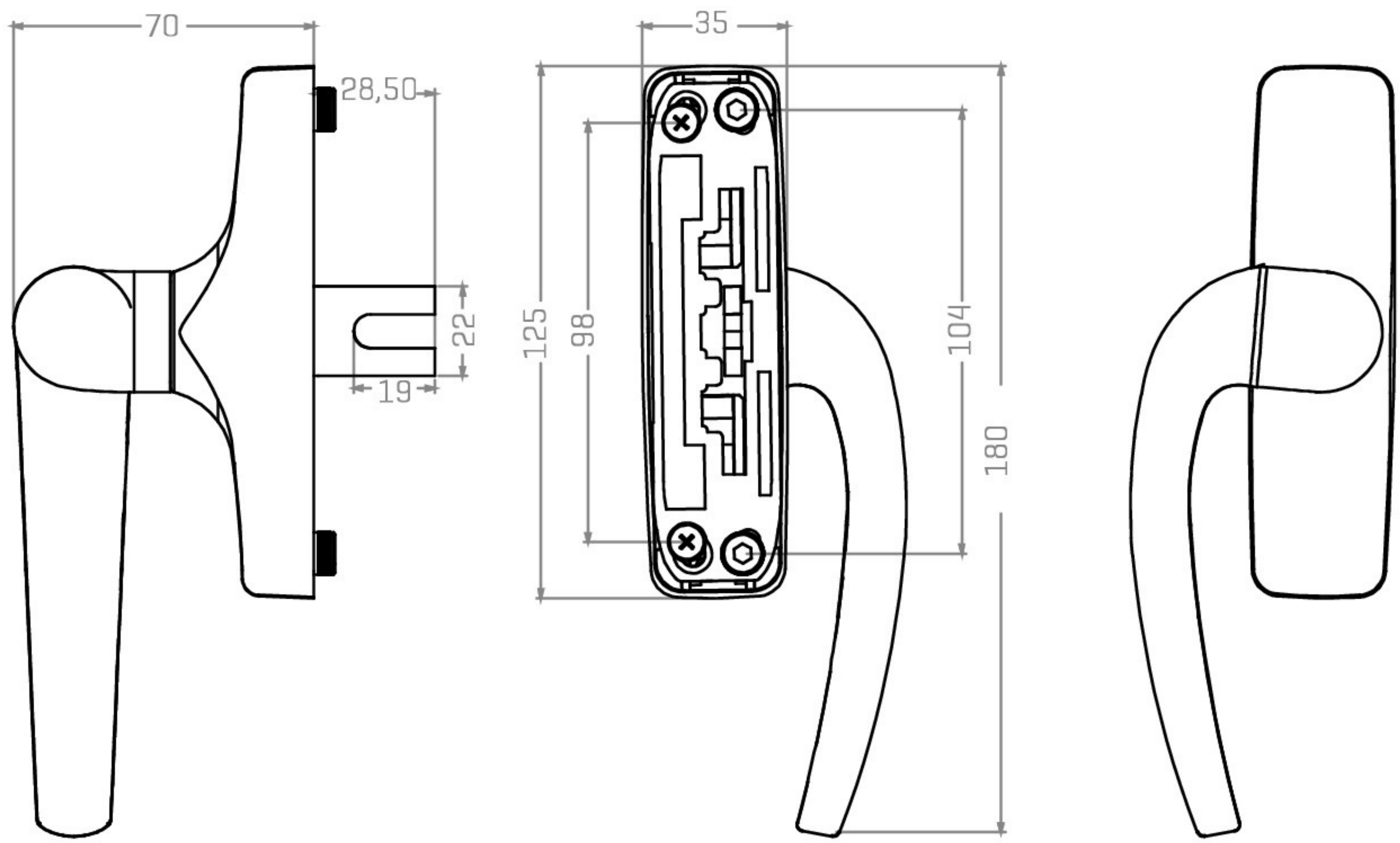


Handle for Facade Systems [Single Fork]



Handle for Facade Systems [Double Fork]

