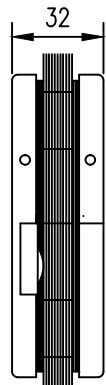
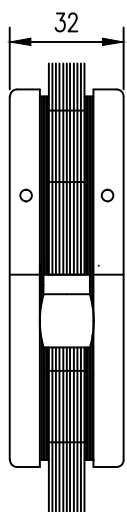
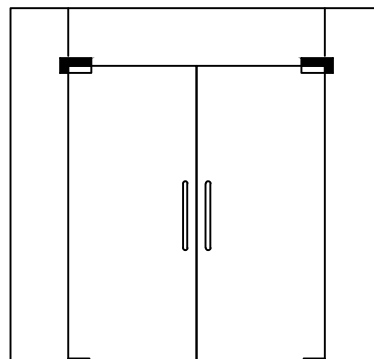


PATCH FITTINGS

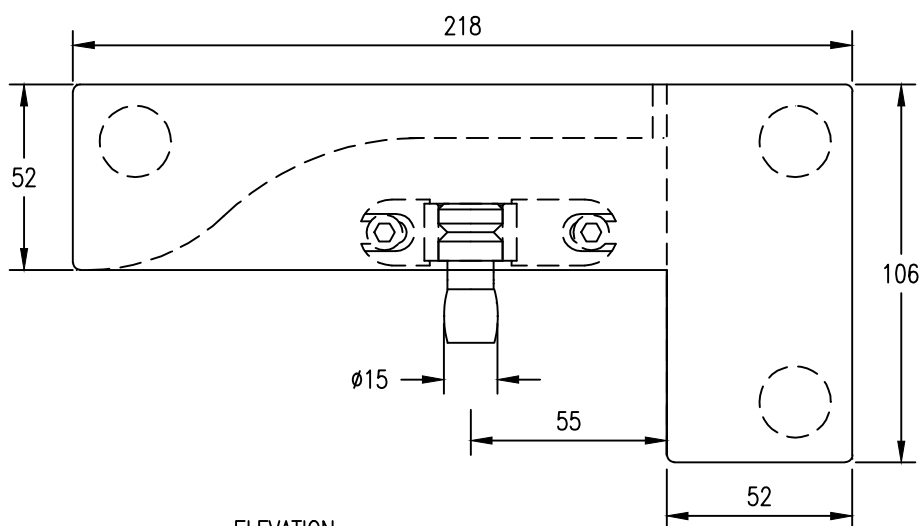
PT 40/40S



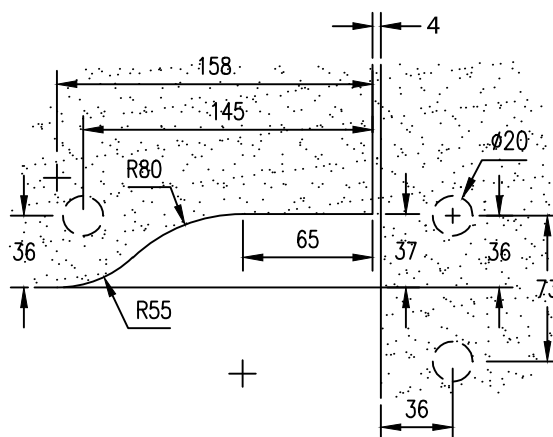
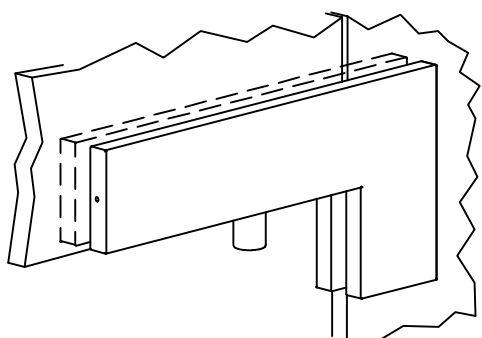
PT 40S STOP PATCH



END VIEW



ELEVATION



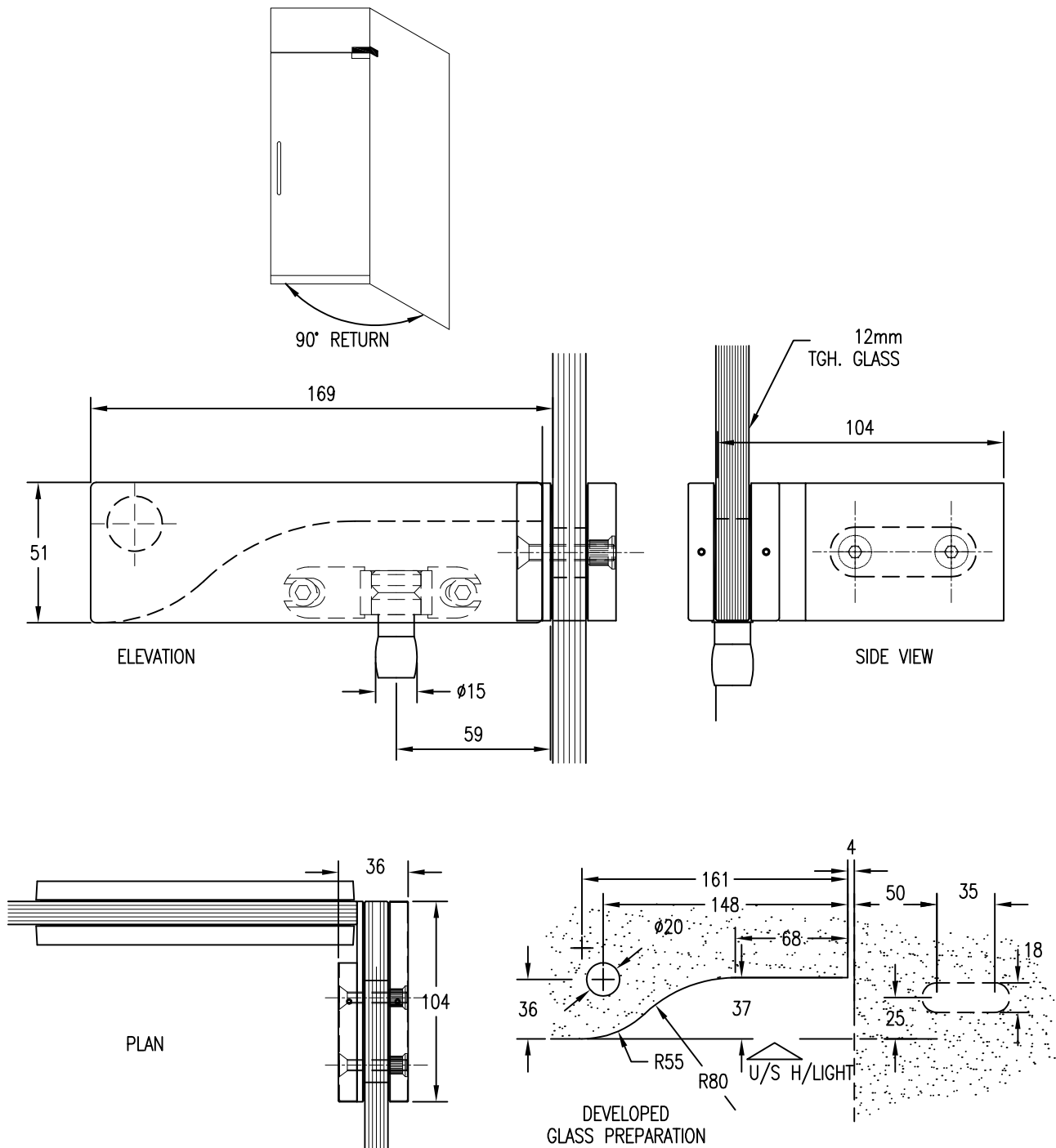
GLASS PREPARATION

PT 40 & PT 40S SPECIFICATION: Universal 218mm x 106mm
 PT 40 Highlight to Sidelight Corner Link Patch with Pivot, and PT 40S
 Highlight to Sidelight Corner Link Patch with Stop Insert.
 Pivot Point Set at 55mm.
 Specify Glass Thickness 10, 12 or 15mm.
 SPECIFY: PT 40 Highlight to Sidelight Corner Pivot Patch
 SPECIFY: PT 40S Highlight to Sidelight Corner Stop Patch

FINISHES
 ALUMINIUM:
 MILL, SAA
 STAINLESS: SSS, PSS

PATCH FITTINGS

PT 40/90°

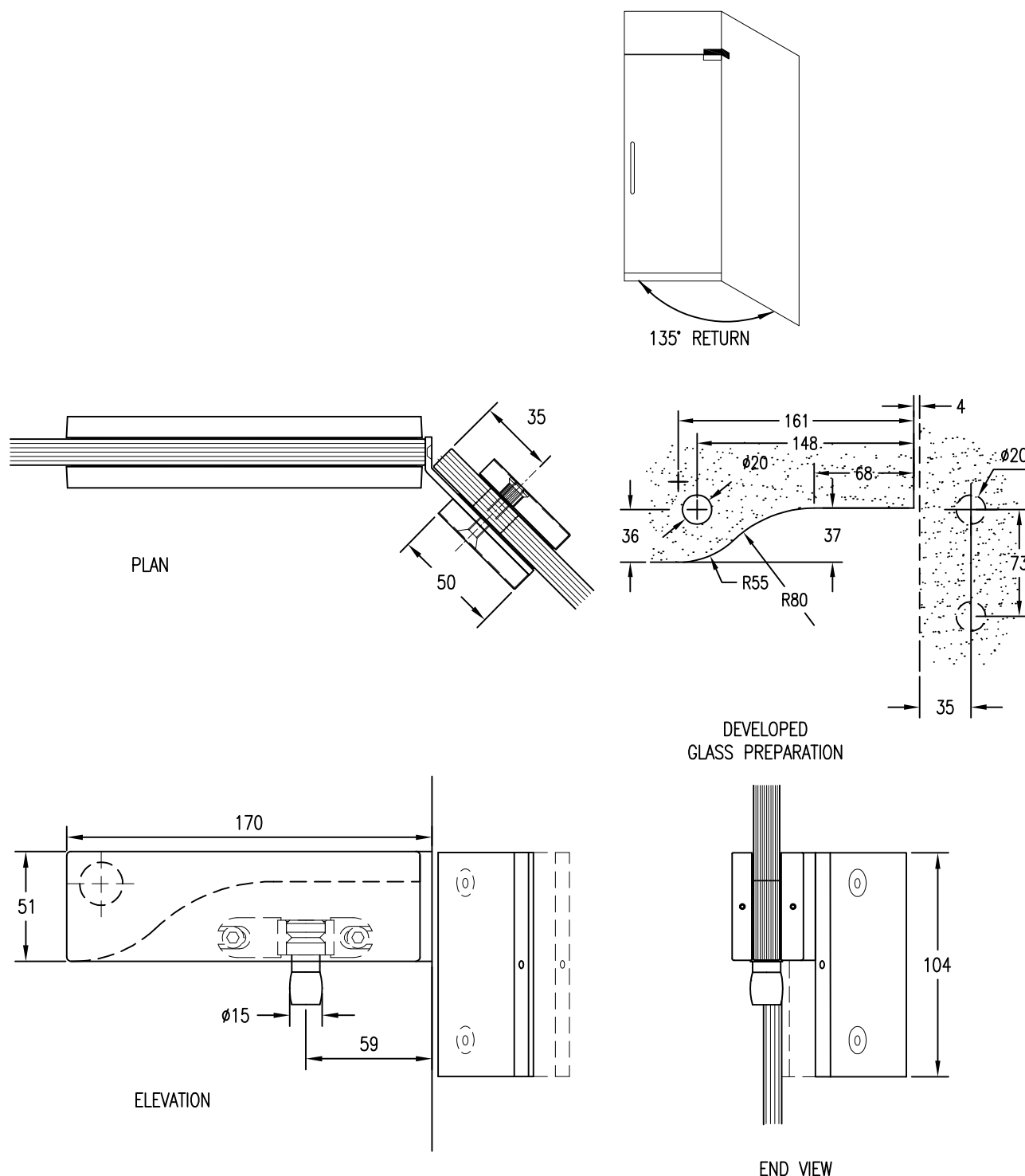


PT 40/90 SPECIFICATION: Universal 51mm x 192mm High Light to Side Light Corner Link Patch with return at 90 degrees, fitted with PT 30.1 Adaptor set at 55mm to suit PT20 Top Patch. Specify Glass Thickness 10, 12 or 15mm. Specify Handling LH / RH Specify PT 30.1 S Stop Insert if required. ILLUSTRATED: PT 40/90 RH

FINISHES
 ALUMINIUM:
 MILL, SAA
 STAINLESS: SSS, PSS

PATCH FITTINGS

PT 40/135°



PT 40/135 SPECIFICATION: Universal 104mm x 192mm x 50mm High Light to Side Light Corner Link Patch with return at 135 degrees, fitted with PT 30.1 Adaptor set at 55mm to suit PT 20 Top Patch. Specify Handing LH / RH. Specify glass thickness 10,12 or 15mm. Specify PT30.1 S Stop Insert if required. ILLUSTRATED: PT 40/135 RH. NOTE: Manufactured to suit all angles of return, specify angle required.

FINISHES
 ALUMINIUM:
 MILL, SAA
 STAINLESS: SSS, PSS