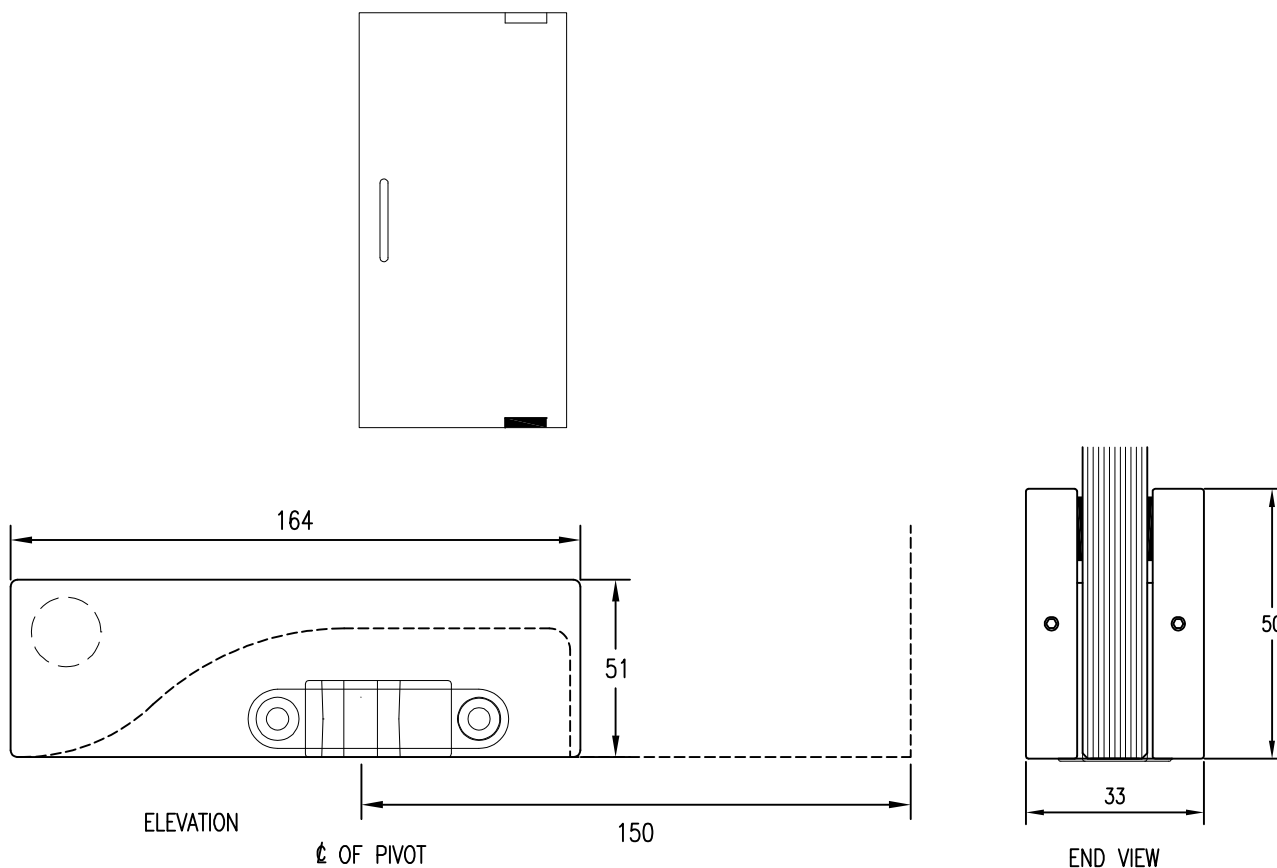


PATCH FITTINGS

PT 10 C/F



PT10 C/F SPECIFICATION: Universal 51mm x 164mm Bottom Patch Fitting with Covers, to suit DORMA BTS Floor Springs or Free Pivots. Patch is modified to be centre fixed on glass providing Pivot Point of 150mm or greater. Specify Glass Thickness 10, 12 or 15mm.

FINISHES
ALUMINIUM:
MILL, SAA
STAINLESS: SSS, PSS