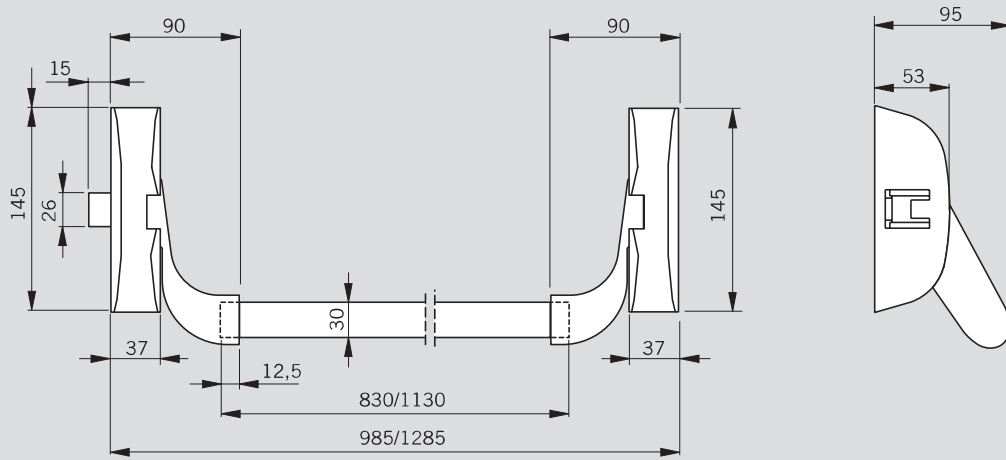
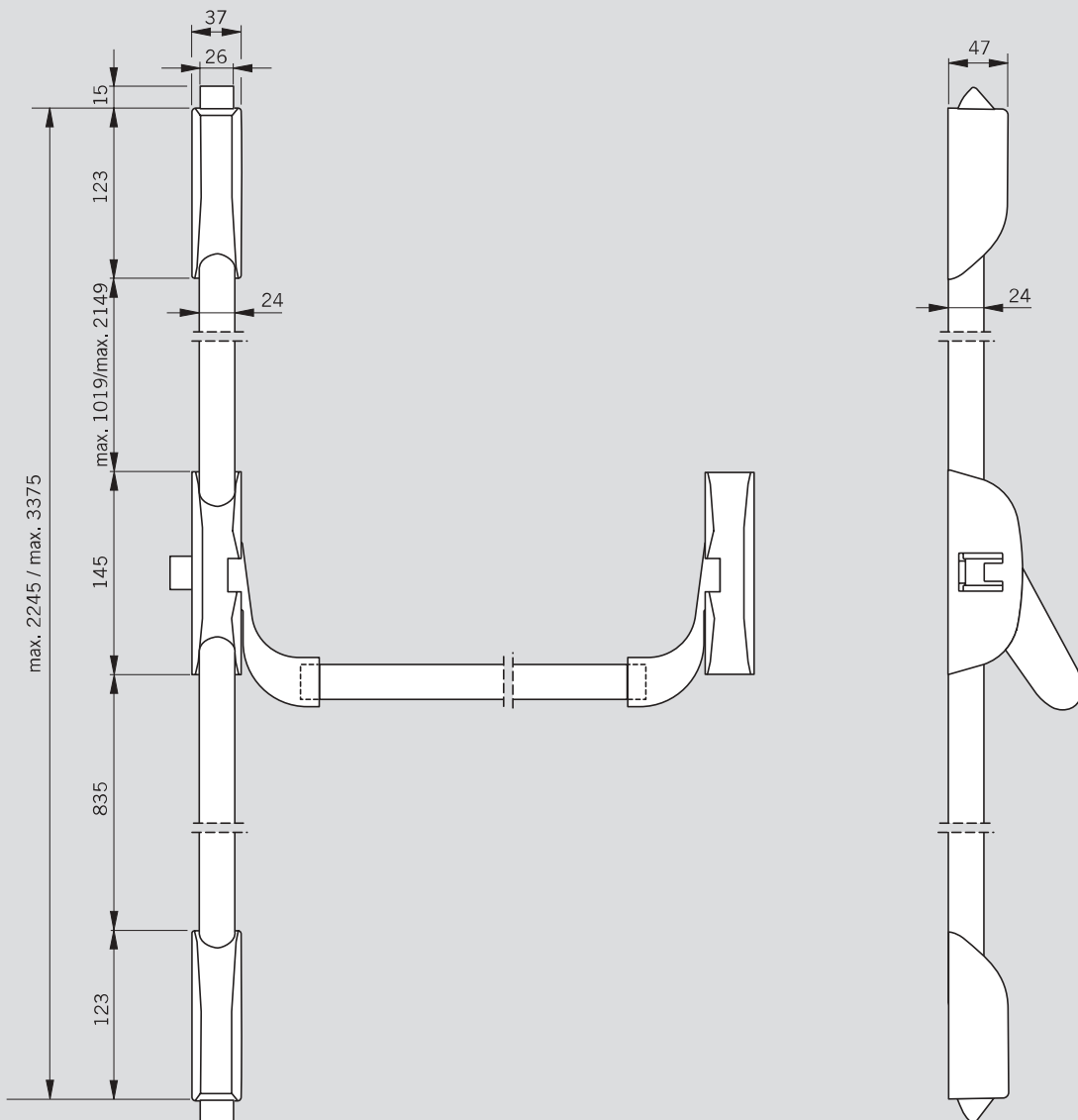


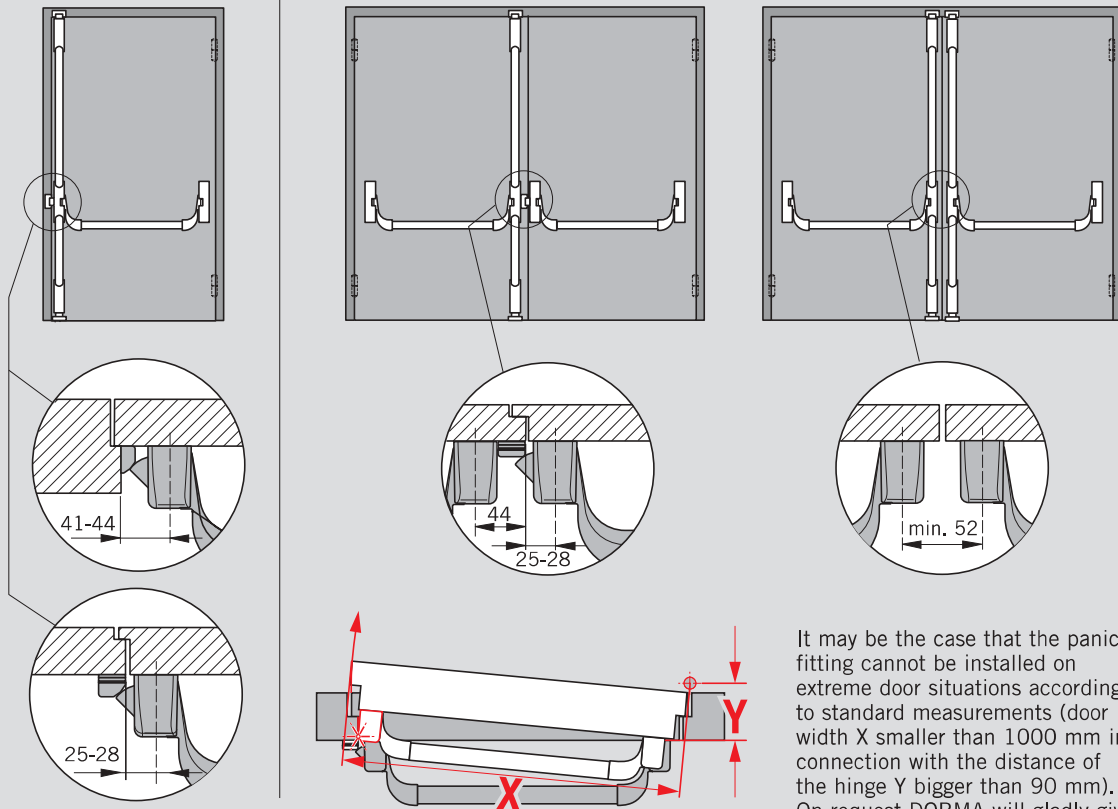
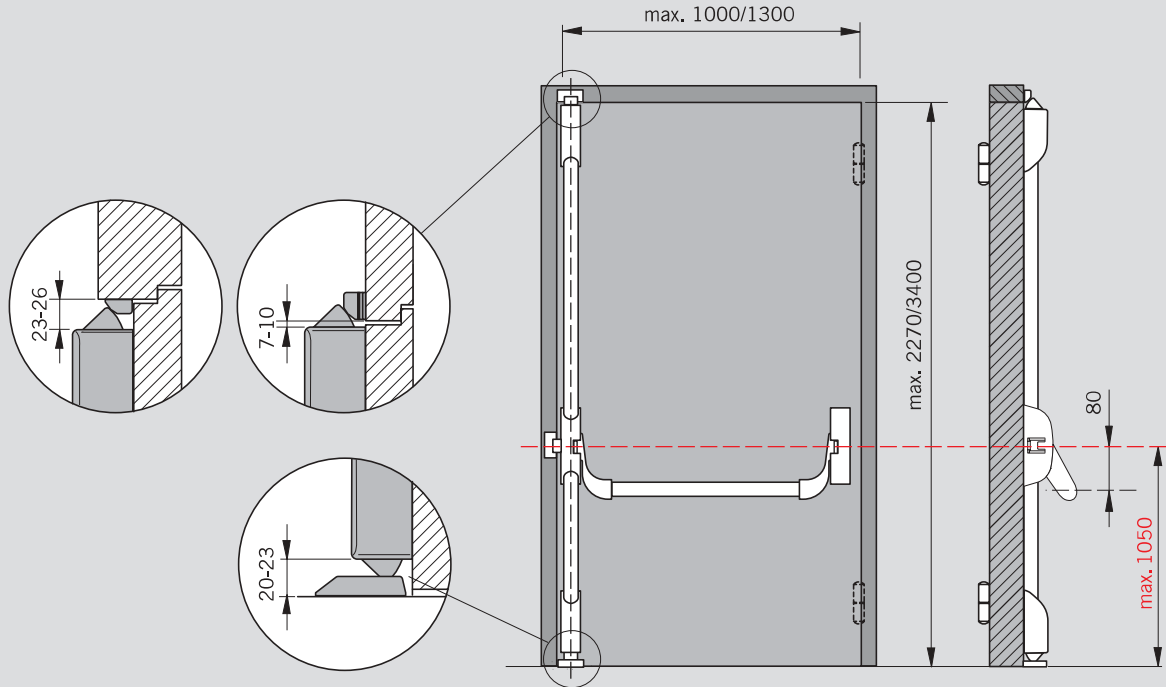
Single-point locking



Two/three-point locking

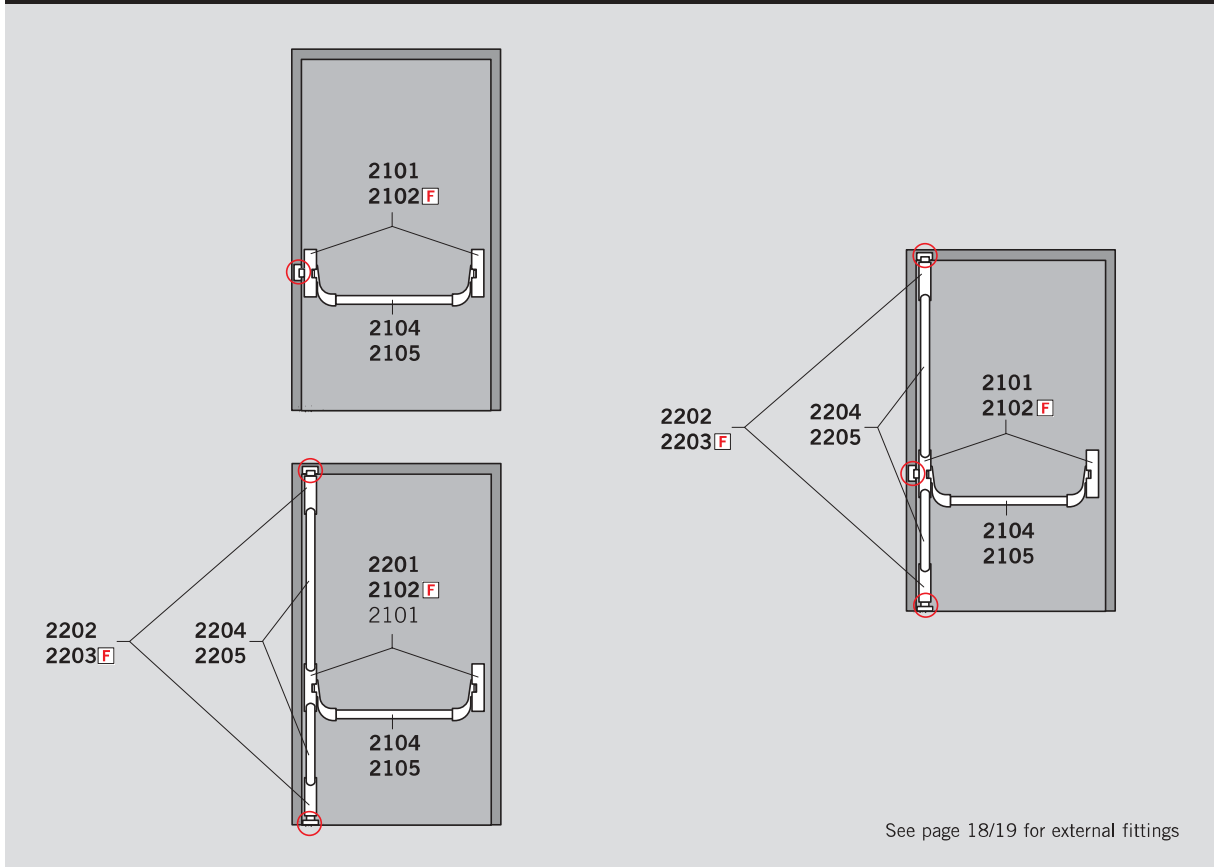


Applications and fixing details



It may be the case that the panic fitting cannot be installed on extreme door situations according to standard measurements (door width X smaller than 1000 mm in connection with the distance of the hinge Y bigger than 90 mm). On request DORMA will gladly give you installation suggestions.

Components on single-leaf doors



Single-leaf doors

	Single-point modular	Two-point modular	Two-point standard	Three-point modular	
Standard doors	2101 2104 / 2105 ¹⁾	2101 2104 / 2105 ¹⁾ 2204 / 2205 ²⁾ 2202	2201 2104 / 2105 ¹⁾ 2204 / 2205 ²⁾ 2202	2101 2104 / 2105 ¹⁾ 2204 / 2205 ²⁾ 2202	
Fire and smoke check doors F	2102 2104 / 2105 ¹⁾	2102 2104 / 2105 ¹⁾ 2204 2203		2101 2104 / 2105 ¹⁾ 2204 2203	

F Approval certification

The DORMA Panic Hardware Series PHA 2000 products marked with the **F** symbol have been tested for use on fire and smoke check doors. Test reports and/or certificates are available on request.



The DORMA Panic Hardware Series PHA 2000 carry the **CE**-conformity mark.

¹⁾ 2104 for door widths up to 1000 mm
2105 for door widths up to 1300 mm

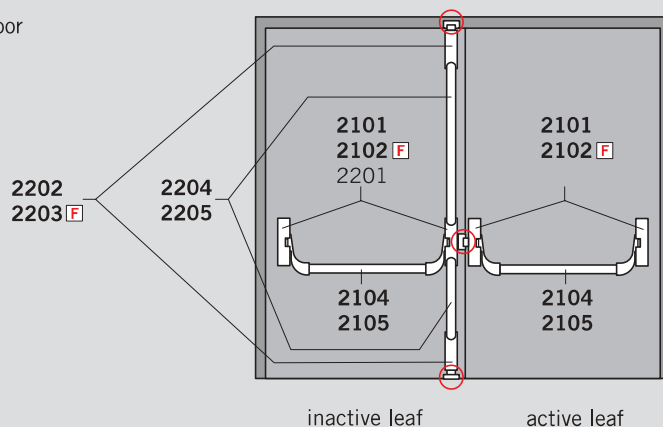
Note:
According to EN 1125 the effective length of the operating bar has to be at least 60% of the door width.

²⁾ 2204 for door heights up to 2270 mm
2205 for door heights up to 3400 mm

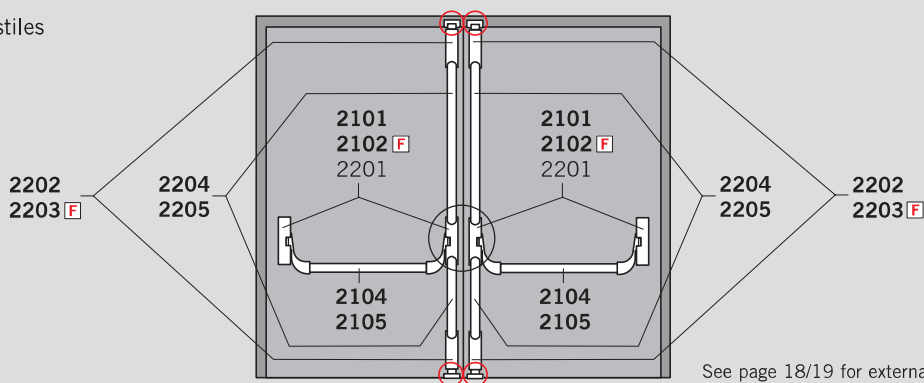
Note:
Doors higher than 2500 mm lie outside the scope of EN 1125.

Components on double doors

over-rebated door




flush meeting stiles



See page 18/19 for external fittings

Double doors	Active leaf			Inactive leaf	
	Single-point modular	Two-point modular	Two-point standard	Two-point modular	Two-point standard
Standard doors over-rebated	2101 2104 / 2105 ¹⁾			2101 2104 / 2105 ¹⁾ 2204 / 2205 ²⁾ 2202	2201 2104 / 2105 ¹⁾ 2204 / 2205 ²⁾ 2202
Standard doors flush meeting stiles		2101 2104 / 2105 ¹⁾ 2204 / 2205 ²⁾ 2202	2201 2104 / 2105 ¹⁾ 2204 / 2205 ²⁾ 2202	2101 2104 / 2105 ¹⁾ 2204 / 2205 ²⁾ 2202	2201 2104 / 2105 ¹⁾ 2204 / 2205 ²⁾ 2202
Fire and smoke check doors over-rebated F	2102 2104 / 2105 ¹⁾			2102 2104 / 2105 ¹⁾ 2204 2203	
Fire and smoke check doors flush meeting stiles F		2102 2104 / 2105 ¹⁾ 2204 2203		2102 2104 / 2105 ¹⁾ 2204 2203	

Specification text

Order No. 35014 .. **PHA Series 2000**

Panic door bolt tested in accordance with EN 1125, for door widths up to 1300 mm, door heights up to 2270 (in accordance with EN 1125) or 3400 mm; reversible for use on LH/ISO 6 and RH/ISO 5 doors.

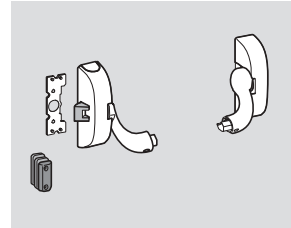
Can be unlocked electrically via electric strike. All products of the Panic Hardware series PHA 2000 carry the **CE** mark.

PHA 2101

Single-point locking, modular, for standard doors, without security anti-thrust latch, with dogging device. Die-cast zinc latch, zinc latch keep with spacer plates, plastic mounting backplate.

- silver colour
- black

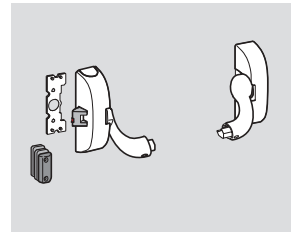
..21010001
..21010002  PHA 2101

**PHA 2102 **

Single-point locking, modular, for fire and smoke check doors, with security anti-thrust latch and dogging device. Steel latch, steel latch keep with spacer plates, plastic mounting backplate.


- silver colour
- black

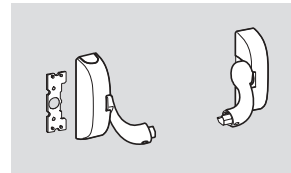
..21020001
..21020002  PHA 2102

**PHA 2201**

Two-point locking only, with dogging device. Plastic mounting backplate.

- silver colour
- black

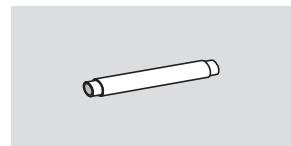
..22010001
..22010002  PHA 2201

**PHA 2104**

Connecting rod 830 mm (for door widths up to 1000 mm)

- silver colour
- red

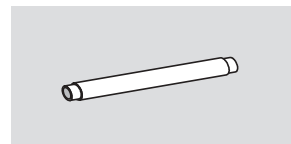
..21040001
..21040002  PHA 2104

**PHA 2105**

Connecting rod 1130 mm (for door widths up to 1300 mm)

- silver colour
- red

..21050001
..21050002  PHA 2105

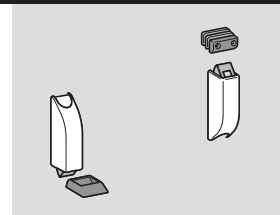


Specification text
Order No. 35014 .. 
PHA 2202

Top and bottom lock combination, without security anti-thrust latch. Die-cast zinc latch, zinc top latch keep with spacer plates, steel bottom latch keep.

- silver colour
- black

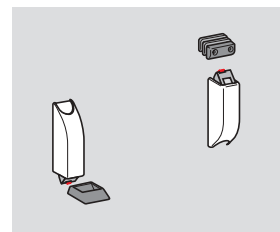
..22020001
 ..22020002  PHA 2202


PHA 2203 F

Top and bottom lock combination, for fire and smoke check doors, with security anti-thrust latch. Steel latch, steel top latch keep with spacer plates, steel bottom latch keep.

- silver colour
- black

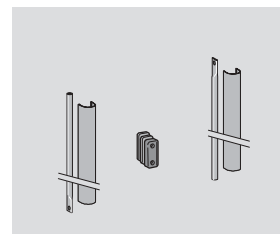
..22030001
 ..22030002  PHA 2203


PHA 2204

Connecting rod set with cover for door heights up to 2270 mm. Steel latch keep with spacer plates for double doors.

- silver colour
- black

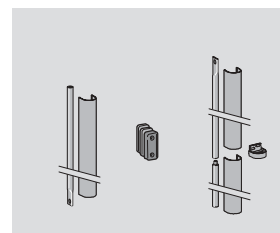
..22040001
 ..22040002  PHA 2204


PHA 2205

Connecting rod set with cover for door heights up to 3400 mm. Steel latch keep with spacer plates for double doors.

- silver colour
- black

..22050001
 ..22050002  PHA 2205


Mounting backplate

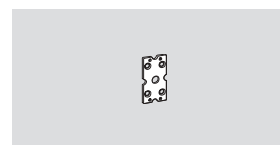
Steel, galvanised (in packs of 10) for PHA 2101, 2102, 2201 for factory pre-installation to simplify field installation

..25200050  PHA Accessories


Mounting backplate

Steel, galvanised (in packs of 10) for PHA 2202, 2203 for factory pre-installation to simplify field installation

..25200051  PHA Accessories


Micro-switch

For actuation of visual or audible signals. Contact rating: max. 48 V DC, max. 3 A For PHA 2101, 2102, 2201

..25200060  PHA Accessories

